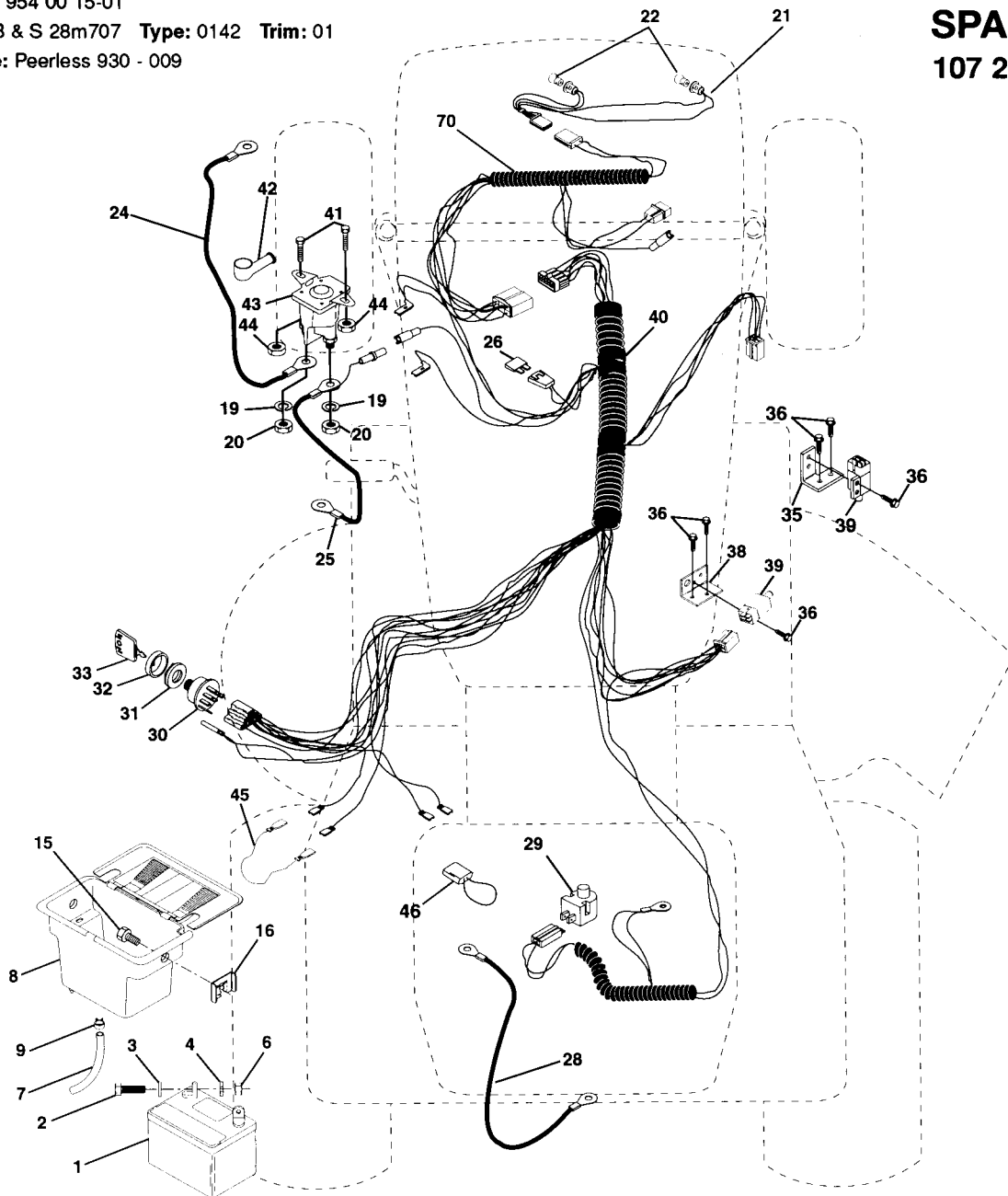


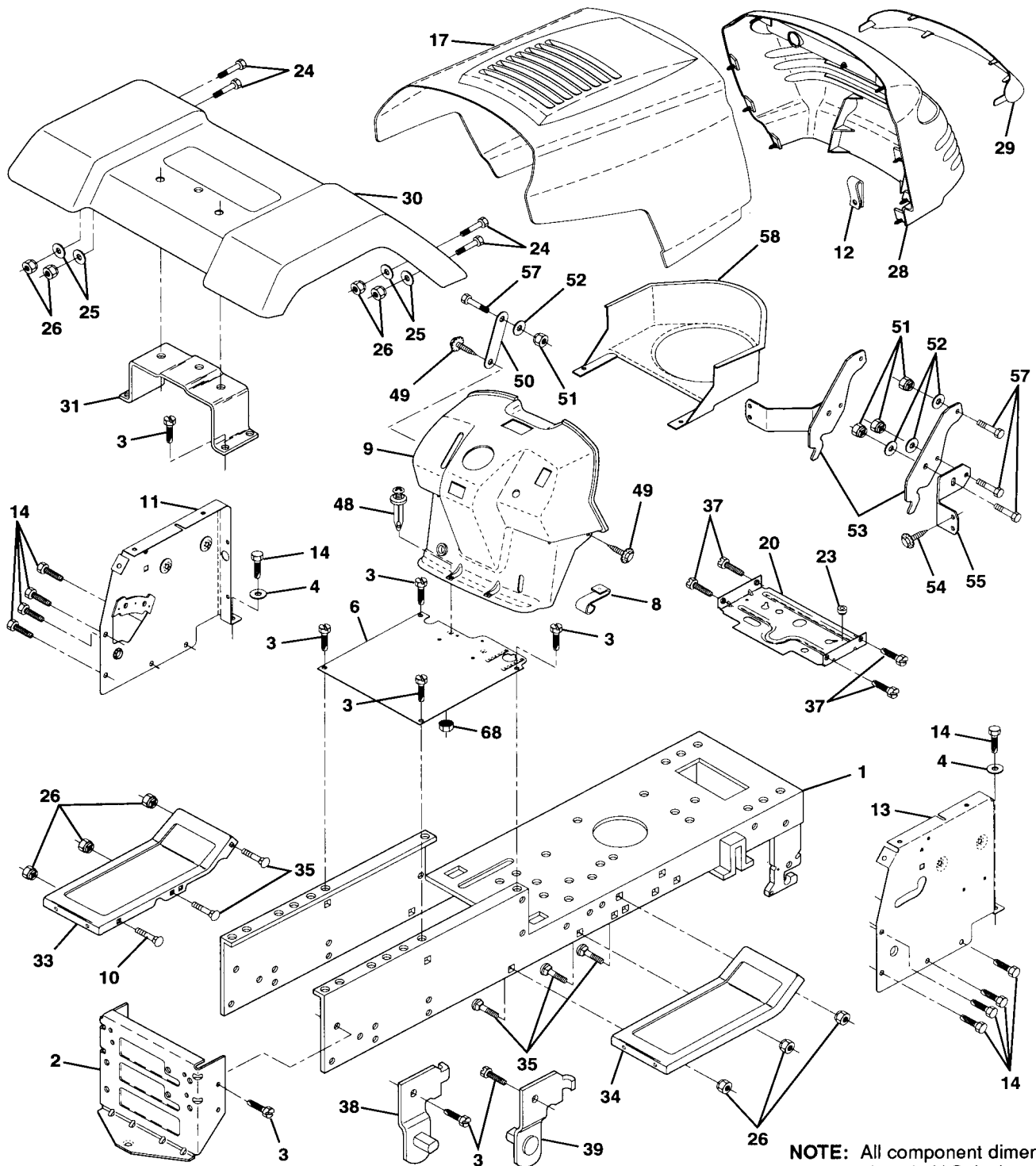
Prod.No: 954 00 15-01
 Engine: B & S 28m707 Type: 0142 Trim: 01
 Transaxle: Peerless 930 - 009

SPAREPARTS
107 26 56-61



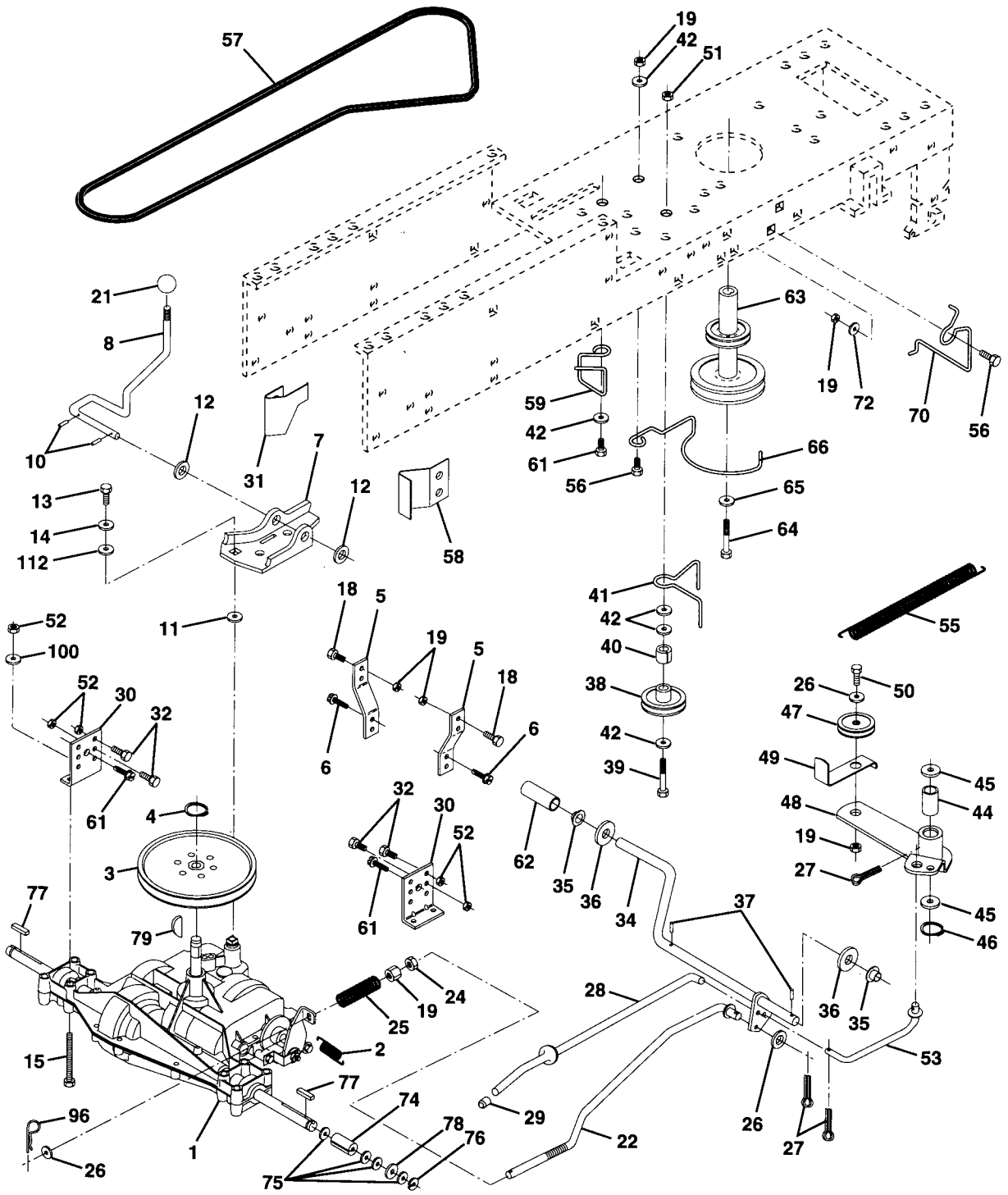
NOTE: All component dimensions given in U.S. inches. 1 inch = 25.4 mm.

Key No.	Part No.	Description	Key No.	Part No.	Description
1	532 12 38-88	Battery 12 Volt 25 AMP w/acid	29	532 12 13-05	Switch Plunger Nc Gray
2	874 76 04-12	Bolt Hex Hd 1/4-20unc X 3/4	30	532 14 03-01	Switch Ign 4 Pos W/Lights
3	734 11 53-01	Washer 9/32 X 5/8 X 16 Ga.	31	532 12 42-11	Nut Ignition
4	810 04 04-00	Washer Lock Hvy Helical 1/4	32	532 14 12-26	Cover Sw Ignition
6	873 22 04-00	Nut Fin Hex 1/4-20 Unc	33	516 84 46-00	Key
7	532 10 92-38	Tube Plastic 12"	35	532 10 82-36	Bracket Switch Clutch
8	532 12 99-65	Case Battery Hng Mech W/lid	36	817 02 10-08	Screw Tap Hex #10-24unc X 1/2
9	532 10 95-96	Clamp Hose Olive	38	532 14 03-36	Bracket, Switch, Interlock
15	532 1 449-35	Screw Cap Hex Nylon 3/8-16 x 1	39	532 10 95-53	Switch Intlk Clutch Red 4 Term
16	532 14 53-55	Nut Nylon 3/8-16	40	532 14 60-58	Harness Chassis Lt PI Mech HM 95
19	810 04 04-00	Washer Lock 1/4	41	874 76 04-12	Bolt Blk Fin Hex 1/4 - 20 x 3/4
20	873 22 04-00	Nut Jam Hex 1/4-20 Unc	42	532 13 15-63	Cover Terminal Red
21	532 13 68-50	Harness Asm Light W/4152j	43	532 14 56-73	Solenoid
22	532 00 41-52	Bulb Light #1156	44	873 68 04-00	Nut Lock w/Insert 1/4-20 Unc
24	532 00 47-99	Cable Battery 6 Ga 11" Red	45	532 14 08-44	Adapter Ammeter Rectangular
25	532 14 61-47	Cable Battery 6 Ga Red w/16 wir	46	532 14 19-40	Protection Wire Loop
26	532 10 88-24	Fuse 30 AMP Auto Green	70	532 14 11-63	Harness, Eng.
28	532 12 47-73	Cable Ground 6 Ga 12" black			



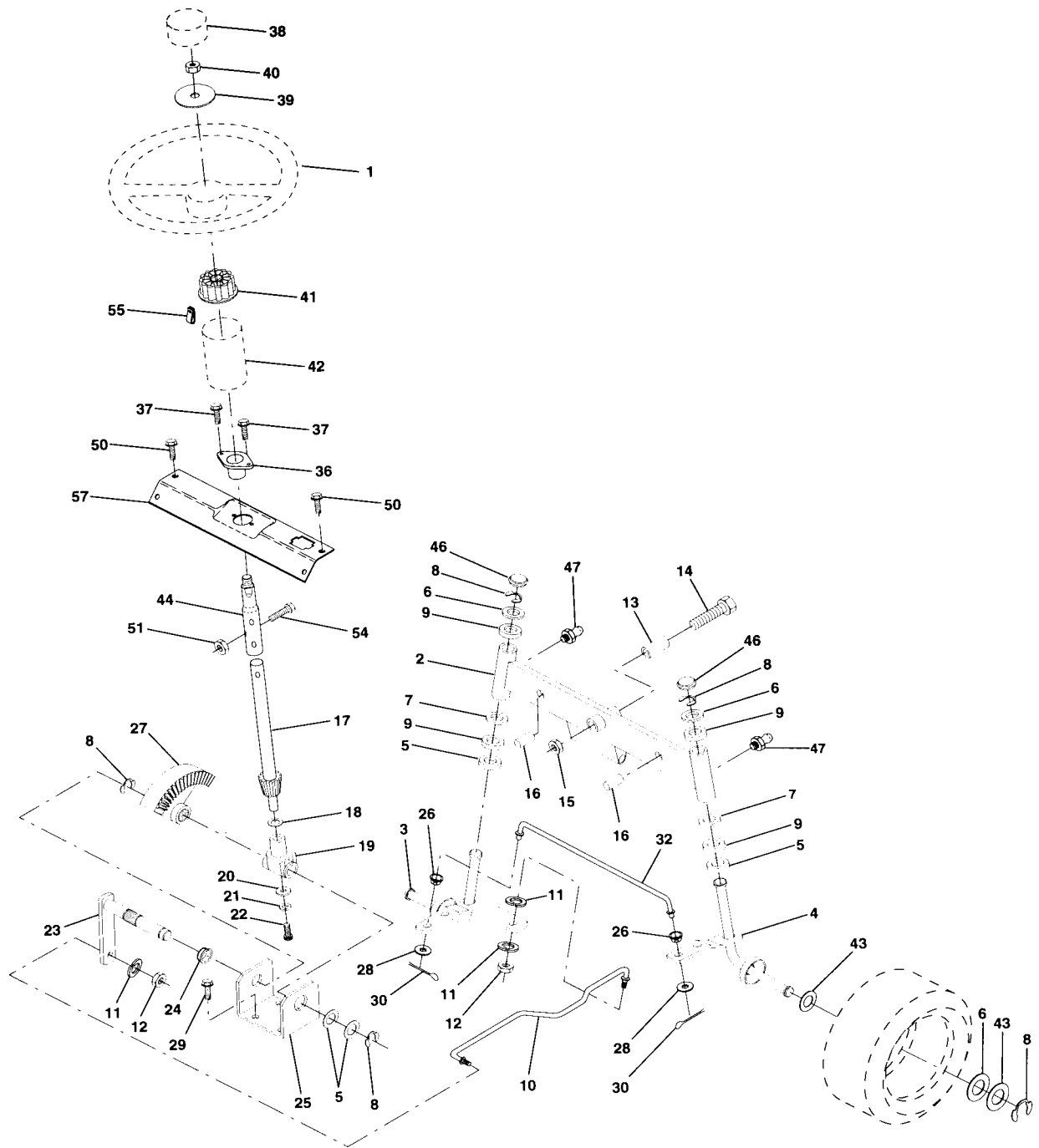
NOTE: All component dimensions given in U.S. inches
1 inch = 25.4 mm

Key No.	Part No.	Description	Key No.	Part No.	Description
1	532 14 55-01	Chassis Wldmt 11 Ga 1995	31	532 13 66-19	Bracket Fender Repl 109873x
2	532 14 03-56	Drawbar Stretch	33	532 14 72-03	Footrest Pnt LH (Husq Gray)
3	874 78 06-12	Screw Thdrol 3/8-16 x 3/4 Ty-tt	34	532 14 72-02	Footrest Pnt RH (Husq Gray)
4	819 13 12-16	Washer 13/32 X 3/4 X 16 Ga.	35	872 11 06-06	Bolt Rdhd Sht Sqnk 3/8-16 X3/4
6	532 14 72-04	Saddle Slkscr	37	874 48 05-12	Screw Thdrol 5/16-18 x 3/4
8	532 12 64-71	Clip Line Fuel 406 Mtg Hole	38	532 13 98-86	Bracket Asm Pvt LH MWR Rear
9	532 14 24-65	Dash Private Label CADM FREE	39	532 13 98-87	Bracket Asm Pvt RH MWR Rear
10	872 11 06-08	Bolt Rdhd Sqnk 3/8-16unc X 1	48	532 13 80-96	Rivet Push Plate D Plastic
11	532 14 08-15	Panel Dash LH	49	874 76 04-12	Screw Hex Wsh Thdrol 1/4-20 x 3/4
12	532 14 56-60	Clip Tinnerman Grille P/L	50	532 14 27-79	Brace Support Dash P/L
13	532 14 01-78	Panel Dash RH	51	873 68 04-00	Nut Crownlock 1/4-20
14	817 49 06-08	Screw Thdrol 3/8-16x1/2 Ty-tt	52	819 09 14-16	Washer 9/32 x 7/8 x 16 Ga.
17	532 13 93-94	Hood Pnt Steel Priv/Label	53	532 14 02-19	Hinge Pickoff Hood Private Label
20	532 14 02-81	Plate Mtg Battery / Fuel Tank	54	817 03 08-14	Screw Lock Spider # x 7/8
23	532 12 40-28	Bushing Snap Nyl Blk Fuel Line	55	532 14 30-07	Bracket Grille
24	874 78 06-16	Bolt Fin Hex 3/8-16unc X 1 Gr. 5	57	874 76 04-12	Bolt Hex 1/4-20 x 3/4
25	734 11 72-01	Washer 13/32 X 13/16 X 12 Ga.	58	532 14 08-06	Air Duct Private Label
26	873 68 06-00	Nut Lock Hex w/Ins 3/8-16 Unc	68	873 68 04-00	Nut Keps Hex 1/4-20 UNC
28	532 14 25-52	Grille Private Label	---	532 00 54-79	Plug Button Blk 359 Dia Choke
29	532 14 02-73	Lens Grille Private Label	---	532 13 40-14	Plug Dome Blk
30	532 12 48-87	Fender Pnt LT W/shf W/ign			



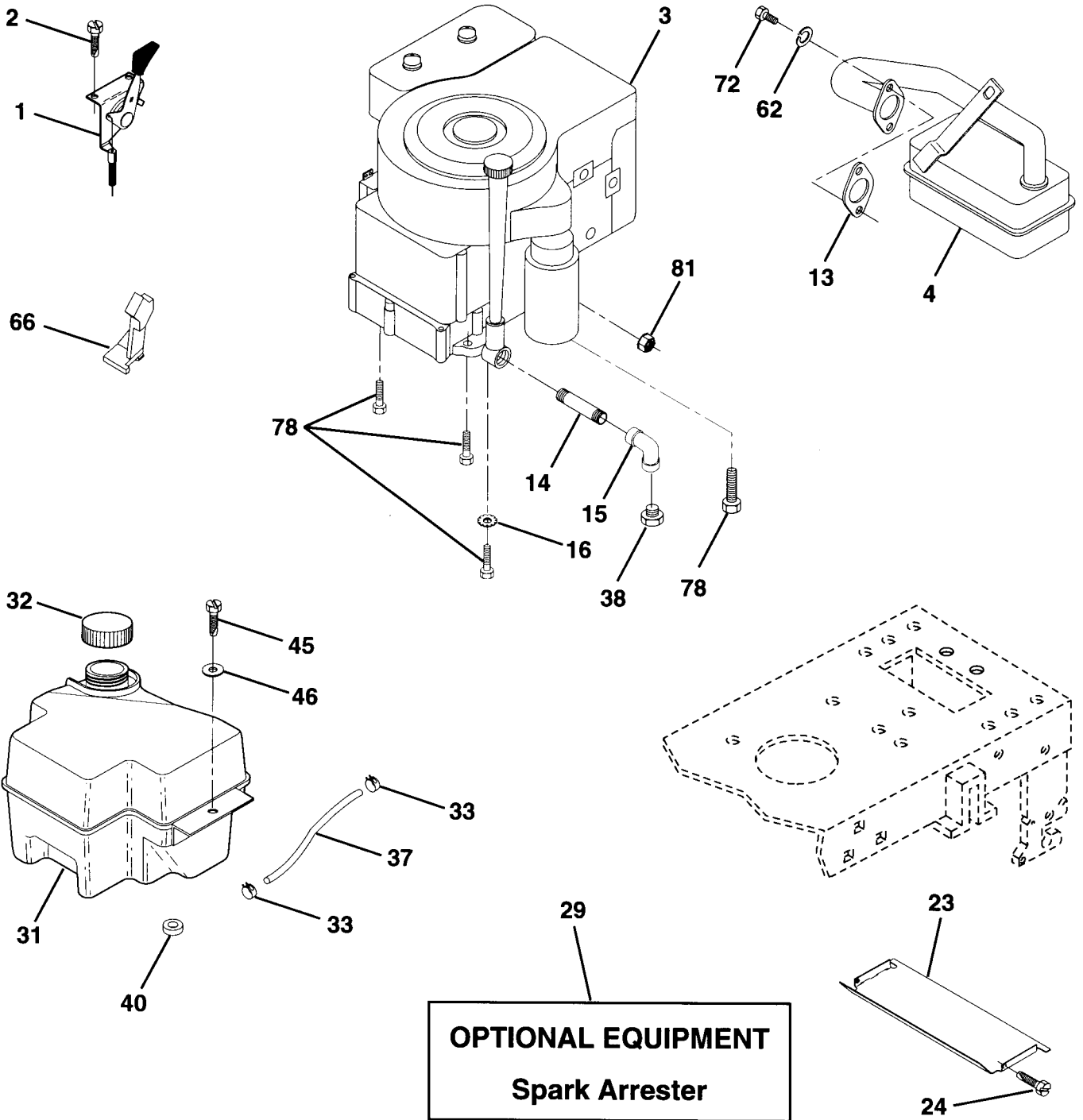
NOTE: All component dimensions given in U.S. inches
1 inch = 25.4 mm

Key No.	Part No.	Description	Key No.	Part No.	Description	Key No.	Part No.	Description
1		Transaxle 5sp Mod No. P930-054	29	532 07 16-73	Cap Brake Parking Black	55	532 10 57-09	Spring Return Clutch 6 75
2	532 14 66-82	Spring Return Brake	30	532 13 08-07	Bracket Mtg Transaxle	56	874 78 06-20	Bolt Fin Hex 3/8-16 UNC x 1-1/4
3	532 12 36-66	Pulley Transaxle 18" tires	31	532 12 72-75	Keeper Belt LH LT 14 Ga	57	532 13 82-55	V-Belt Ground Drive 95 25 42"
4	532 00 22-67	Ring Retainer # 5100-62	32	874 78 05-12	Bolt Hex Hd 5/16-18unc X 3/4	58	532 12 72-74	Keeper Belt RH LT Pnt/zinc 16g
5	532 12 15-20	Strap Torque 30 Degrees	34	532 12 24-24	Bolt Hex Hd 5/16-18unc X 1 930	59	532 14 03-12	Keeper Belt Chassis Span Ctr
6	874 78 05-12	Screw Thdrol 5/16-18 X 3/4 TYT	35	532 12 01-83	Bearing Nylon Blk 629 Id	61	874 78 06-12	Screw Thdrol 3/8-16x3/4 Ty-tt
7	532 13 08-02	Bracket Saddle Shift	36	734 11 85-71	Washer 21/32 X 1 X 16 Ga	62	532 12 48-72	Cover Pedal Blk Round
8	532 13 16-79	Rod Shifter	37	532 12 49-63	Pin Roll 3/16 X 1"	63	532 14 01-86	Engine Pulley
10	876 02 04-16	Pin Cotter 1/8 X 1 Cad	38	532 12 36-74	Pulley Idler Flat	64	871 17 07-64	Bolt Hex 7/16-20x4 Gr 5
11	532 10 57-01	Washer Plate Shf 388 Sq Hole	39	874 76 06-44	Bolt Fin Hex 3/8-16unc X 2-3/4	65	810 04 07-00	Washer Lock Hvy Hcl Spr. 7/16
12	734 11 77-71	Washer 15/32 x 3/4 x 16 Ga.	40	532 00 44-70	Spacer Split 395 X 59 Bzp	66	532 12 99-21	Keeper Belt Engine LH LT
13	874 55 04-12	Bolt 1/4-28 UNF Gr 8 w/Patch	41	532 10 90-70	Keeper Belt Retainer	70	532 13 46-83	Guide Belt Mower Drive RH
14	810 04 04-00	Washer Lock Hvy Helical 1/4	42	734 11 72-01	Washer 13/32 X 13/16 X 12 Ga	72	734 11 74-41	Washer 13/32 X 1-1/4 X 12 Ga
15	874 78 05-44	Bolt Fin Hex 5/16 - 18UNC x 2.75	44	532 10 57-06	Bearing Nyl 503 X 628 X 1 25	74	532 13 70-57	Spacer Axle
18	874 78 06-16	Bolt Fin Hex 3/8-16unc X 1	45	532 11 08-12	Washer Hardened	75	532 12 17-49	Washer 25/32 X 1 1/4 X 16 Ga.
19	873 68 06-00	Nut Lock Hex w/Wsh 3/8-16 Unc	46	812 00 00-39	Ring Klip #15304-50	76	812 00 00-01	E-ring #5133-75
21	532 10 69-33	Knob Rd 1/2-13 Pistic Thds Blk	47	532 12 77-83	Pulley Idler V Groove Plastic	77	532 12 35-83	Key Square 2 0 X 1845/ 1865
22	532 13 08-04	Rod Brake Blk Zinc 27 326	48	532 12 37-89	Bellcrank Asm Clutch	78	532 12 17-48	Washer 25/32 X 1-5/8 X 16 Ga
24	873 22 06-00	Nut Hex Jam 3/8-16 Unc	49	532 12 32-05	Retainer Belt Style Spring	79	532 12 50-96	Key Woodruff #9 3/16 x 3/4
25	532 10 68-88	Spring Rod Brake 2 00 Zinc	50	874 78 06-24	Bolt Hex Hd 3/8-16unc X 1-1/2	96	532 12 47-88	Retainer Spring
26	734 11 72-01	Washer 13/32 X 13/16 X 16 Ga	51	873 68 06-00	Nut Crownlock 3/8-16 Unc	100	734 11 63-01	Washer 11/32 x 3/4 x 16 Ga.
27	876 02 04-12	Pin Cotter 1/8 X 3/4 Cad	52	873 68 05-00	Nut Crown Lock 5/16-18	112	734 11 54-41	Washer 9/32 X 3/4 X 10 Ga
28	532 14 52-04	Rod Brake Parking LT/YT	53	532 10 57-10	Link Clutch 7 66			



NOTE: All component dimensions given in U.S. inches
1 inch = 25.4 mm

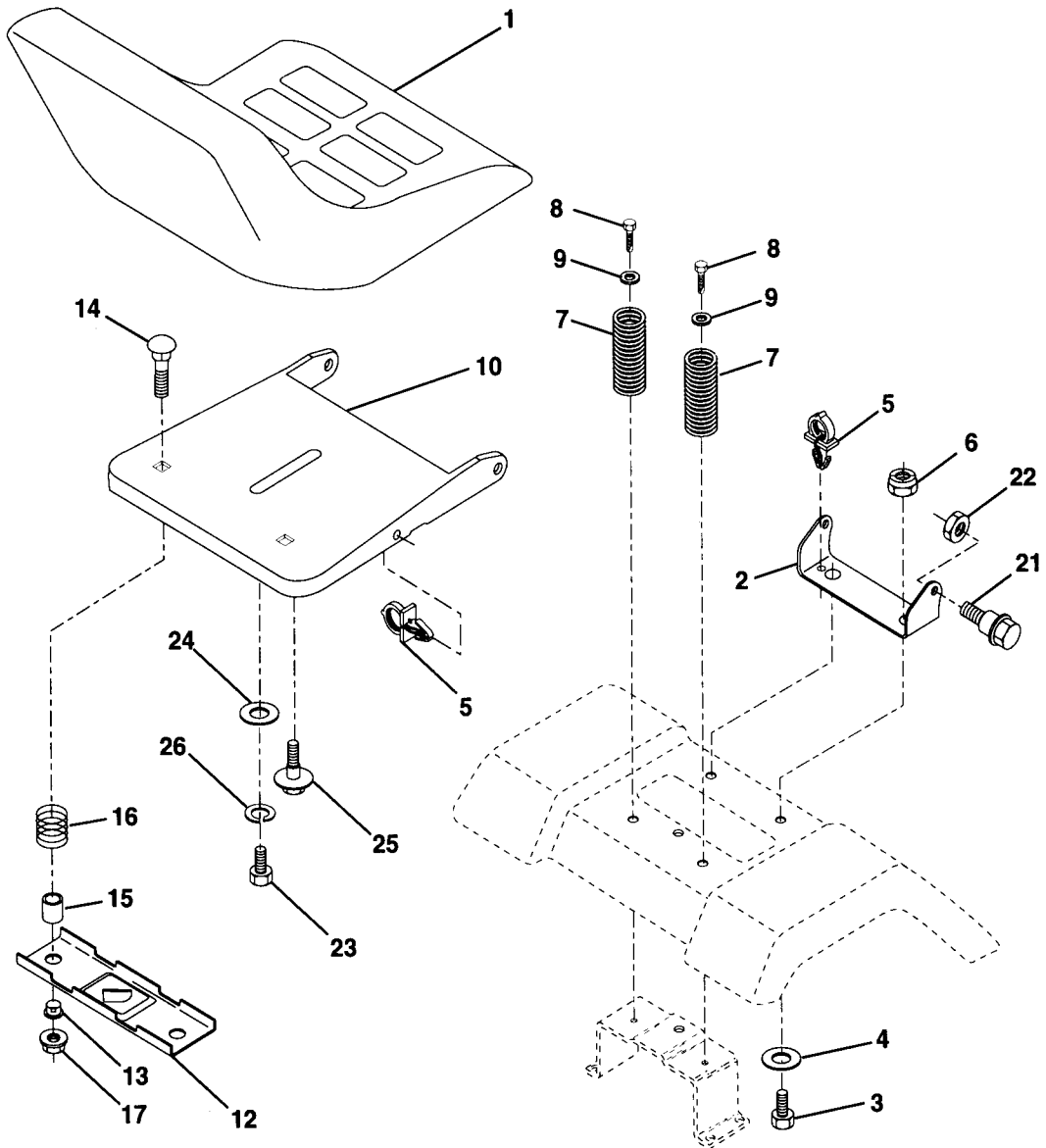
Key No.	Part No.	Description	Key No.	Part No.	Description
1	532 13 97-68	Wheel Steering Opp. Sears Blk	25	532 12 40-36	Bracket Steering
2	532 14 20-33	Axle Asm Fr	26	532 12 68-47	Bushing Link Drag Blk LR
3	532 13 52-27	Spindle Asm LH	27	532 13 68-74	Gear Sector
4	532 13 52-28	Spindle Asm RH	28	734 11 72-01	Washer 13/32 X 7/8 X 16 Ga
5	532 00 62-66	Bearing Race Thrust Harden	29	874 78 06-12	Screw Thdrol 3/8-16x3/4 Ty-tt
6	532 12 17-48	Washer 25/32 X 1-5/8 X 16 Ga	30	876 02 04-12	Pin Cotter 1/8 X 3/4 Cad
7	819 27 20-16	Washer 27/32 X 1-1/4 X 16 Ga	32	532 13 04-65	Rod Tie Wire Form 19 75 Mech
8	812 00 00-29	Ring Klip #t5304-75	36	532 10 28-03	Bushing Strg Nat .623/.618ld
9	532 00 33-66	Bearing Col Strg Blk	37	817 21 10-08	Screw Slftp #10-16 X 1/2 Ty-b
10	532 13 04-68	Link Drag Sol Ball Jt 20 064	38	532 14 01-75	Cap Wheel Steer P/L
11	810 04 06-00	Washer Lock Hvy Hlcl Spr 3/8	39	819 13 38-08	Washer 13/32 X 2-3/8 X 8 Ga
12	873 61 06-00	Nut Fin Hex 3/8-24 Unf	40	873 61 06-00	Nut Lock Center 3/8-24unf
13	532 11 04-38	Spacer Bearing Axle Front	41	532 10 48-20	Adaptor Wheel Strg 640/ 635id
14	874 01 10-56	Bolt Hex 5/8-11 Unc X 3-1/2	42	532 14 02-16	Boot Shaft Steering
15	873 68 10-00	Nut Lock Flange 5/8-11 Unc	43	532 12 17-49	Washer 25/32 X 1 1/4 X 16 Ga
16	532 13 26-24	Pin Axle 5/8 X 1 55/1 54 Lg	44	532 14 01-71	Shaft Extension Steering
17	532 14 01-76	Shaft Asm Strg	46	532 12 12-32	Cap Spindle Fr Top Blk
18	532 05 70-79	Washer Thrust 515x 750x 033	47	532 12 48-36	Fitting Grease
19	532 12 40-35	Support Shaft	50	874 76 04-12	Screw Hex Wsh Thdrol 1/4-20 x 3/4
20	532 12 66-84	Washer Shim 1/4 X 5/8 X 062	51	873 80 05-00	Nut Lock Hx w/Ins 5/16-18 Unc
21	810 04 04-00	Washer Lock Hvy Helical 1/4	54	874 78 05-20	Bolt Fin Hex 5/16-18 Unc x 1-1/4
22	871 07 04-10	Screw Hex Socket 1/4-20 X 5/8	55	532 14 02-85	Clip Tinnerman
23	532 12 75-01	Shaft Asm Pittman	57	532 14 01-72	Support Shaft Steering
24	532 10 98-16	Nyliner Snap In			



OPTIONAL EQUIPMENT
Spark Arrester

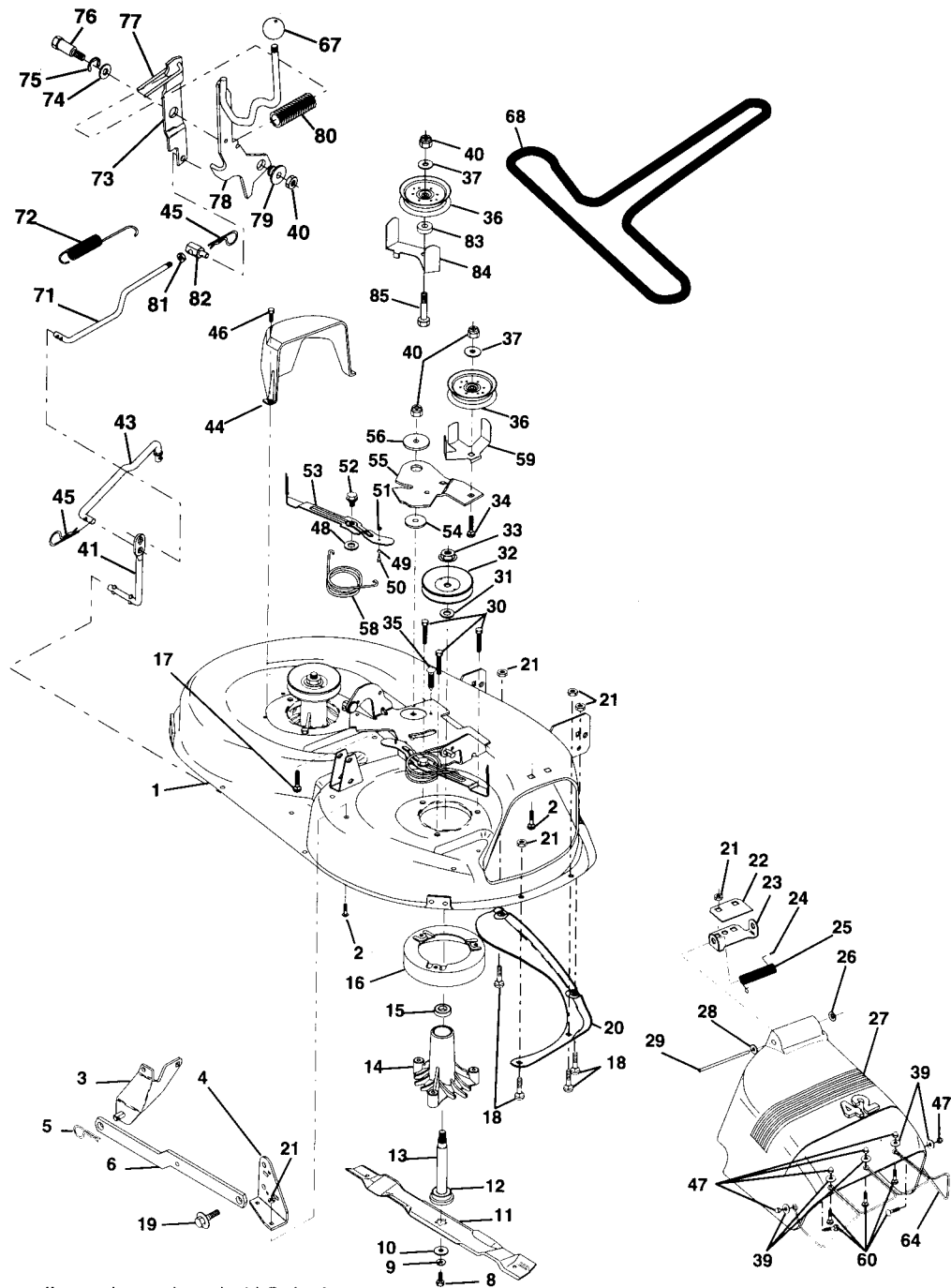
NOTE: All component dimensions given in U.S. inches
1 inch = 25.4 mm

Key No.	Part No.	Description	Key No.	Part No.	Description
1	532 14 13-59	Control Th/ch Lh Flag Eec	33	532 12 34-87	CLAMP Hose Blk
2	874 78 04-10	Screw Hex Thd Cut 1/4-20x5/8 T	37	532 13 70-40	Line Fuel 20"
3	-----	Engine B&S Diamond 13 HP Dual Model No. 28m707	38	-----	Plug Oil Drain (Order From Engine Manufacturer)
4	532 13 73-48	Muffler LT B&S 12/12 5 HP	40	532 12 40-28	Bushing Snap Nyl Blk Fuel Line
13	532 12 55-93	Gasket Eng 1 313 Id Tin Plated	44	874 76 04-12	Screw Hexwsh Thdrol 1/4-20x3/4
14	813 28 03-24	Nipple Pipe 3/8 Npt X 3"	46	819 09 14-16	Washer 9/32 X 7/8 X 16 Ga.
15	813 20 03-00	Elbow Std 90 Degree 3/8-18 Npt	62	810 04 05-00	Washer Lock Hvy Hcll Spr 5/16
16	810 04 06-00	Washer Lock Ext Tooth 3/8	66	532 12 79-51	Stop Throt 3000 Rpm
23	532 12 89-53	Shield Heat Browner LT/YT	72	871 07 05-12	Screw Hexhd Cap 5/16-18x3/4
24	817 02 10-08	Screw Tap Hex #10-24 UNC X 1/2	78	874 78 06-20	Screw Thdrol 3/8-16x1-1/4 TYTT
29	532 13 71-80	Kit Spark Arrester	81	873 68 04-00	Nut Keps Hex 1/4-20 UNC
31	532 14 02-80	Tank Fuel Front 2.00 Gal Nat			
32	532 14 05-27	Cap Asm Fuel W/sym Vented			



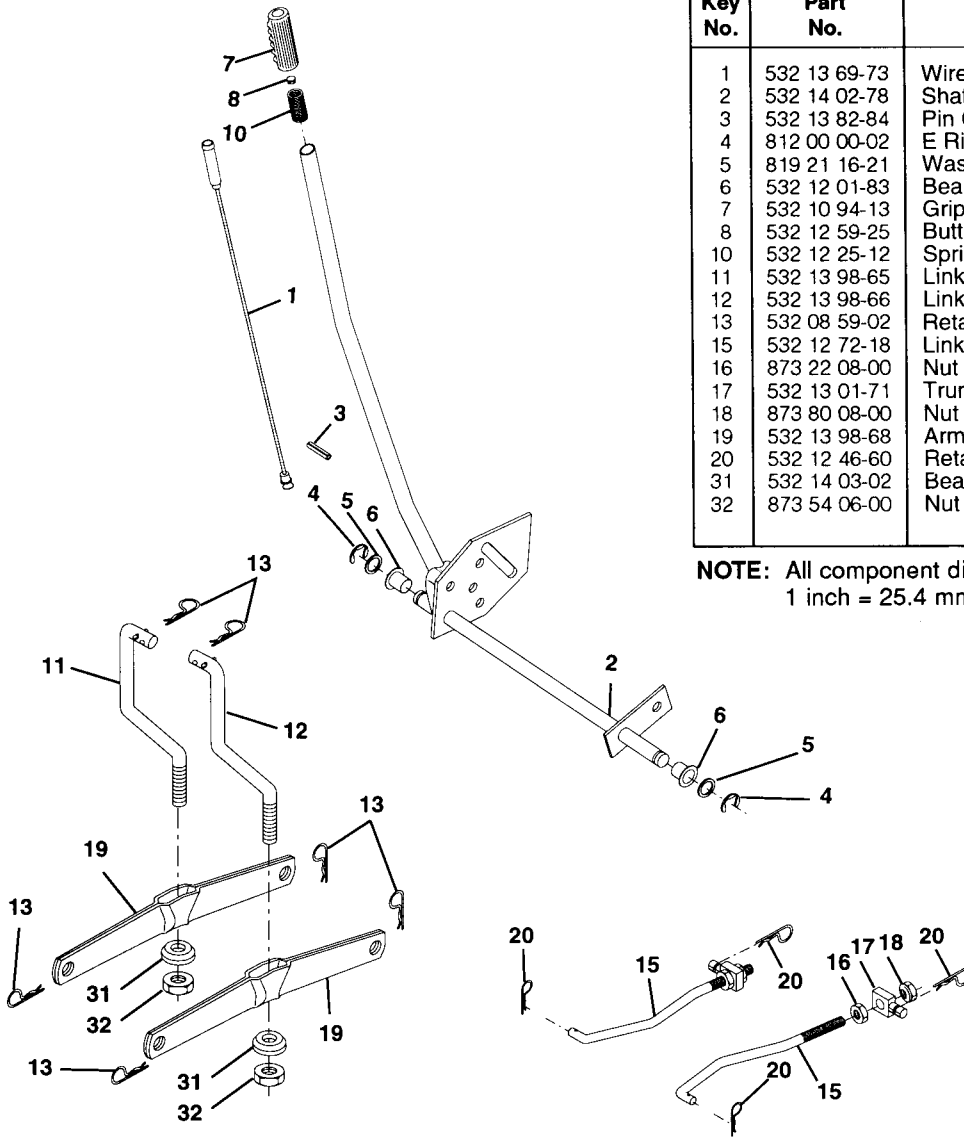
NOTE: All component dimensions given in U.S. inches
1 inch = 25.4 mm

Key No.	Part No.	Description	Key No.	Part No.	Description
1	532 12 74-27	Seat	13	532 12 12-48	Bushing Snap Blk Nyl 50 Id
2	532 14 05-51	Bracket Pivot Seat 8 720	14	872 05 04-11	Bolt Rdhd Sht Nk 1/4-20x1-3/8
3	874 78 06-16	Bolt Fin Hex 3/8-16unc X 1	15	532 13 43-00	Spacer Split 28x 96 Yel Zinc
4	819 13 16-10	Washer 13/32 X 1 X 10 Ga	16	532 12 12-50	Spring Cprsn 1 27 Blk Pnt
5	532 14 50-06	Clip Push-In	17	873 68 04-00	Nut Lock 1/4 Lge Flg Gr 5 Zinc
6	873 68 06-00	Nut Lock Hex w/Wsh 3/8-16 Unc	21	532 13 98-88	Bolt Shoulder 5/16-18 Unc Blkz
7	532 12 41-81	Spring Seat Cprsn 2 250 Blk Zi	22	874 78 08-14	Bolt Fin 1/2 - 13 x 7/8 Fr. 5
8	874 78 06-16	Screw Thdrol 3/8-16 X 1 Ty-tt	23	873 80 05-00	Nut Lock Hex W/Insert 5/16-18 UNC
9	819 13 16-14	Washer 13/32 X 1 X 14 Ga.	24	819 17 19-12	Washer 17/32 X 1-3/16 X 12 Ga.
10	532 14 05-52	Pan Seat	25	532 12 70-18	Bolt Shoulder 5/16-18 X 62
12	532 12 12-46	Bracket Mounting Switch	26	810 04 08-00	Washer Lock Hvy HLCLSPR 1/2



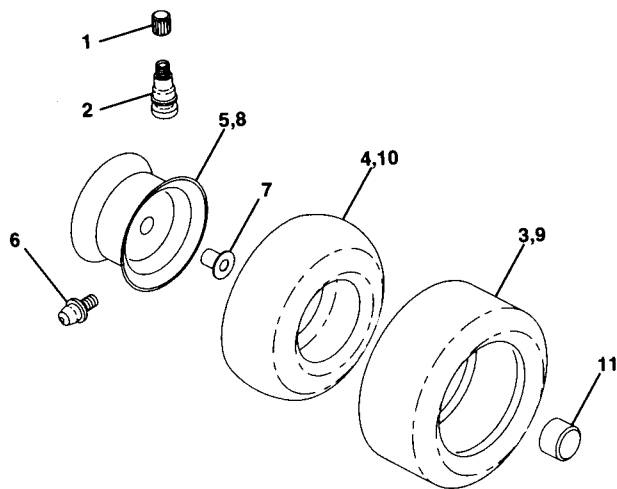
NOTE: All component dimensions given in U.S. inches
1 inch = 25.4 mm

Key No.	Part No.	Description	Key No.	Part No.	Description	Key No.	Part No.	Description
1	532 14 43-93	Housing Asm Mower 42" T-Path	34	872 11 06-14	Bolt Rdhd 3/8-16unc X 1-3/4 Gr5	76	532 12 89-03	Bolt Shoulder 3/8-16 Unc 1 44
2	872 14 05-06	Bolt Rdhd Sqnk 5/16-18unc X3/4	35	532 13 38-35	Fastner Christmas Tree	77	532 12 78-45	Keeper Spring 4 000
3	532 13 80-17	Bracket Asm Fr Sway Bar 38/42	36	532 13 14-94	Pulley Idler Flat 3 060	78	532 14 01-79	Arm Asm Clutch Primary
4	532 13 84-40	Bracket Asm Deck 42" sway Bar	37	734 11 72-01	Washer 13/32 X 13/16 X 16	79	532 12 74-98	Bushing 747 Od X 794 Lg Brass
5	532 08 59-02	Retainer Spring	39	532 14 65-70	Washer M5 Din 125A Bn713	80	532 12 87-59	Spring Clutch Mower 2 750 Zinc
6	532 13 08-32	Arm Suspension Rear	40	873 68 06-01	Nut Lock Hex w/Wsh 3/8-16 Unc	81	873 22 06-00	Nut Hex Jam
8	532 85 08-57	Bolt 3/8 - 24 X 1.25 Gr 8	41	532 13 35-51	Rod Pivot W/nibs	82	532 14 20-28	Trunnion Adj.
9	810 04 06-00	Washer Lock Hvy 3/8 Unplated	43	532 14 00-83	Rod Clutch Secondary W/nibs	83	532 12 09-58	Washer Sintered
10	532 14 02-96	Washer Hard Blade Mower	44	532 14 00-88	Guard Mandrel LH Black	84	532 14 43-94	Keeper Belt Idler Fixed
11	532 13 84-98	Blade Mower High Lift	45	532 12 47-88	Spring Retainer 1" Zinc/cad	85	532 14 06-20	Bolt RDHD SQNK3/8-16x 2-1/2 G5
12	532 12 98-95	Bearing Ball # 6204 (Mandrel)	46	532 13 77-29	Screw Hex Thd Cut 1/4-20x5/8 T	---	532 14 47-83	Deck Serv 42" Mech Vent
13	532 13 76-45	Shaft Asm W/Lower Bearing	47	532 14 59-90	Nut Acorn M5 x 0.8	---	532 13 07-94	Mandrel Asm Service (Includes Key Nos. 8-10, 12-15, 31 and 33)
14	532 12 87-74	Housing Mandrel Vented (Machd)	48	532 13 39-44	Washer Hardened Smaller			
15	532 11 04-85	Bearing Ball Mandrel	49	532 13 39-40	Roller Asm Cam Follower 42" dec			
16	532 14 03-29	Stripper Round Mower	50	532 13 13-40	Bolt Shldr 10-24 Zinc Gr 5 42"			
17	872 11 06-10	Bolt Rdhd Sqnk 3/8-16 X 1-1/4	51	532 06 91-80	Nut Lock #10-24 Unc			
18	872 14 05-05	Bolt Carr 5/16-18 X 5/8	52	532 13 98-88	Bolt Shoulder 5/16-18 Unc Blkz			
19	532 13 28-27	Bolt Shoulder	53	532 13 18-45	Arm Asm Pad Brake			
20	532 13 68-88	Baffle Vortex 42"	54	532 13 39-43	Washer Hardened			
21	873 68 05-00	Nut Crown Lock 5/16-18	55	532 14 00-84	Arm Idler 42" mower LT/YT			
22	532 13 47-53	Stiffener Bracket 42" deck	56	532 12 20-52	Spacer Retainer Pm Mower			
23	532 13 12-67	Bracket Deflector Mower 42"	58	532 14 00-86	Spring Torsion Brakes 42"			
24	532 10 53-04	Cap Sleeve 80x 112 Blk Mower	59	532 14 10-43	Guard TUV Idler			
25	532 12 37-13	Spring Torsion Deflector 2 52	60	532 14 59-89	Bolt Rdhd Sqnk M5 x 0.8 x 16 MM			
26	532 11 04-52	Nut Push Phos & Oil	64	532 13 93-28	Guard Deflector Mower			
27	532 13 94-50	Deflector Clipping TUV	67	532 10 69-33	Knob Rd 1/2-13 Plstc Thds Blk			
28	734 11 63-01	Washer 11/32 X 5/8 X 16 Ga.	68	532 14 42-00	V-Belt Mower			
29	532 13 14-91	Rod Hinge 42" 6 75 Wlg	71	532 14 24-27	Rod Clutch Primary 38/42			
30	532 13 87-76	Bolt 5/16-18 X 1 25 T/t	72	532 13 18-70	Spring Return			
31	532 12 99-63	Washer Spacer Mower Vented	73	532 12 78-47	Arm Clutch Secondary			
32	532 12 98-61	Pulley Mandrel 42"	74	532 12 17-48	Washer 25/32 X 1-5/8 X 16 Ga			
33	532 13 72-66	Nut 9/16 Top Lock Flng Oil Dip	75	812 00 00-29	Ring Klip #t5304-75			



Key No.	Part No.	Description
1	532 13 69-73	Wire Asm Inner W/Plunger
2	532 14 02-78	Shaft Asm Lift LH P/L
3	532 13 82-84	Pin Groove 1.75 x 3115 Zinc
4	812 00 00-02	E Ring #5133-62
5	819 21 16-21	Washer PLTD 21/32 X 1 X 21ga
6	532 12 01-83	Bearing Nylon Blk 629 Id
7	532 10 94-13	Grip Handle Bicycle Matte Blk
8	532 12 59-25	Button Plunger Black
10	532 12 25-12	Spring Cprsn 3 750 Oiled
11	532 13 98-65	Link Lift LH
12	532 13 98-66	Link Lift RH
13	532 08 59-02	Retainer Spring
15	532 12 72-18	Link Front
16	873 22 08-00	Nut Jam Hex 1/2-13 Unc
17	532 13 01-71	Trunnion Blk Zinc
18	873 80 08-00	Nut Lock W/wsh 1/2-13unc
19	532 13 98-68	Arm Suspension Rear
20	532 12 46-60	Retainer Spring
31	532 14 03-02	Bearing Pvt Lift Spherical
32	873 54 06-00	Nut Crownlock 3/8-24

NOTE: All component dimensions given in U.S. inches
1 inch = 25.4 mm



Key No.	Part No.	Description
1	532 05 91-92	Cap Valve Tire
2	532 06 51-39	Stem Valve
3	533 30 11-40	Tire F Ts 15 X 6 0 - 6 Service
4	532 05 99-04	Tube Front (Service Item Only)
5	532 10 67-32	Rim Asm 6" front Yellow Service
6	532 00 02-78	Fitting Grease (Front Wheel Only)
7	532 00 90-40	Bearing Flange (Front Wheel Only)
8	532 12 51-22	Rim Asm 8" rear Yellow Service
9	532 12 20-74	Tire R Ts 18 x 9.5-8 C. Service
10	532 00 71-52	Tube Rear (Service Item Only)
11	532 10 47-57	Cap Axle Blk 1 50 X 1 00

NOTE: All component dimensions given in U.S. inches
1 inch = 25.4 mm